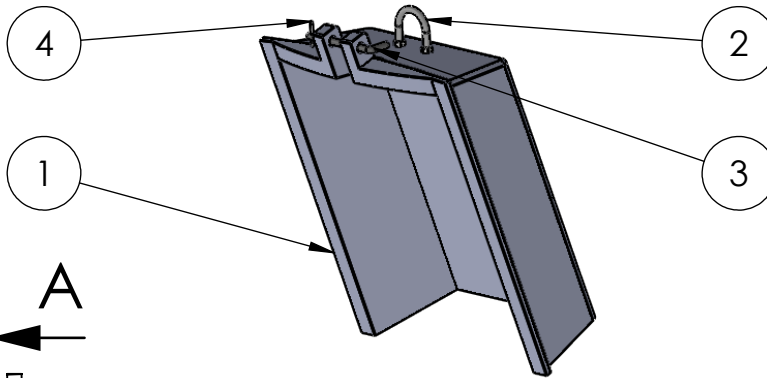
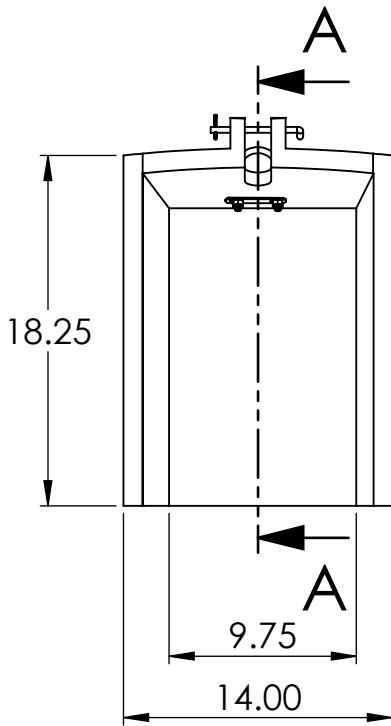


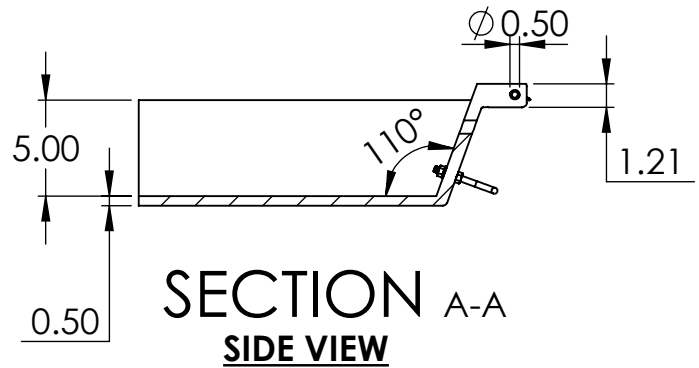
ITEM NO.	DESCRIPTION	QTY.
1	POLYURETHANE HOOD BODY	1
2	5/16" "U" BOLT	1
3	5/16" X 4" PIN	1
4	1/8" COTTER PIN	1



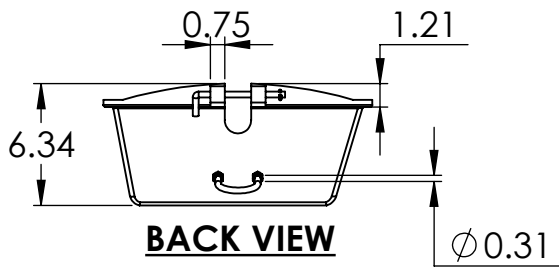
ISOMETRIC VIEW



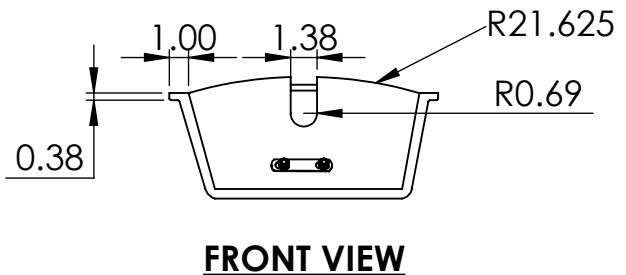
TOP VIEW




**SECTION A-A
SIDE VIEW**



BACK VIEW



FRONT VIEW

				NAME	DATE			
			DRAWN	AS	JUNE 23/17			
			CHECKED					
			DIMENSIONS ARE IN INCHES TOLERANCES: FRACTIONAL: ± ANGULAR: MACH ± BEND ± TWO PLACE DECIMAL ± THREE PLACE DECIMAL ±			SIZE	DWG. NO.	REV.
	DO NOT SCALE DRAWING			SCALE: 1:10	SHEET 1 OF 1	A	Catch Basin Hood	
	Description							