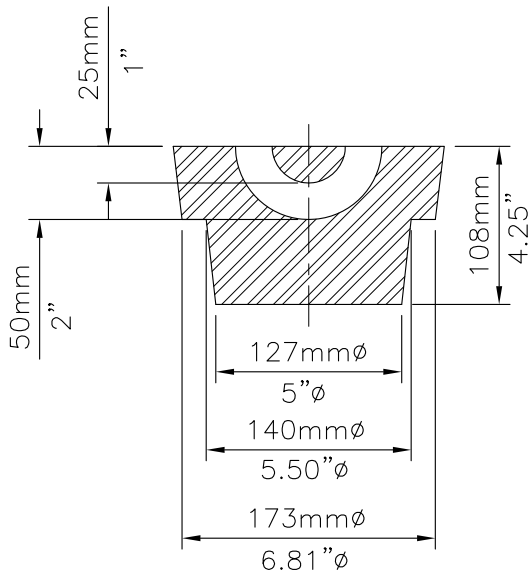
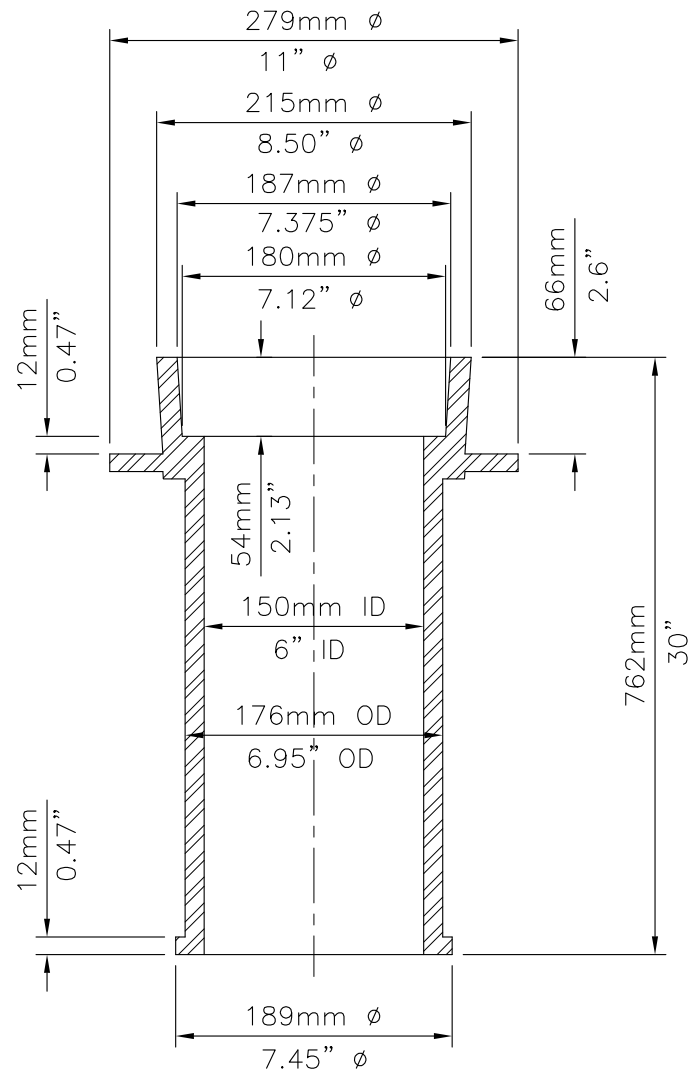


PLAN



SECTION A-A - DROP LID

WT. 25.5 LBS.



SECTION A-A - CASING

WT. 87 LBS.

NOTE :

USES WD82 BASE AS SHOWN ON DWG. VB-3.

**TYPE A VALVE BOX
CASING & LID**



1036 Waverley Street
Winnipeg Manitoba Canada R3T 0P3
P 204 896 1333 F 204 896 6969

APP'D BY: WDP	DATE: 08/06/02
SCALE: N.T.S.	REV. NO: 00

DWG. NO:
VB-8