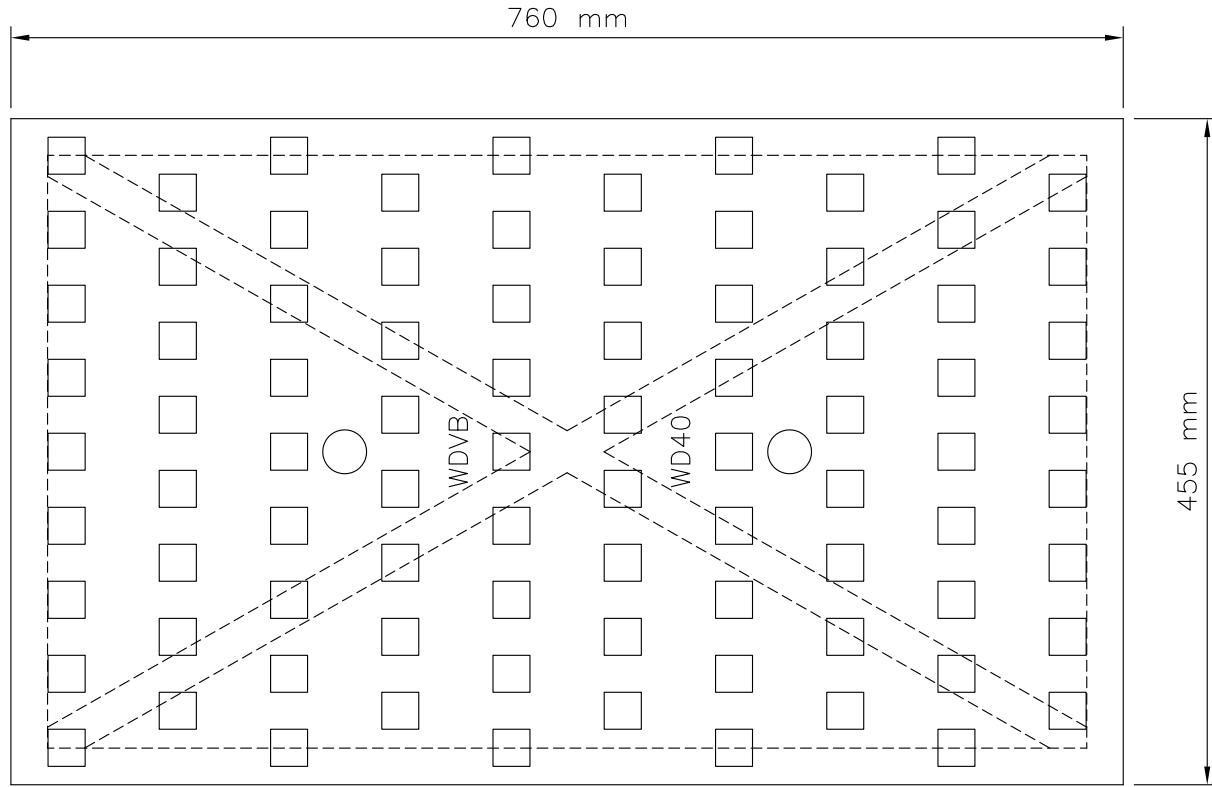
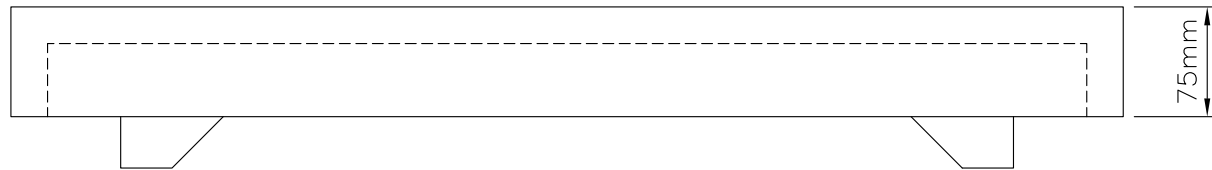


MATERIAL:

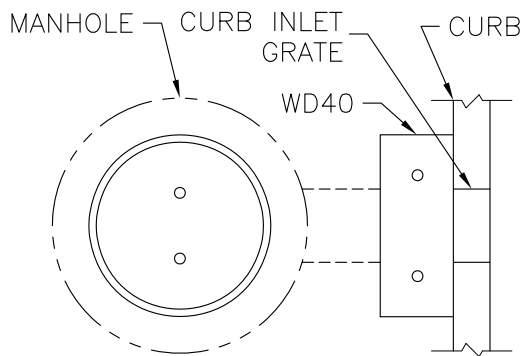
GRAY CAST IRON TO ASTM A48
CLASS 30B



PLAN



FRONT



INSTALLATION

NOTE:

- 1) CONFORMS TO CITY OF WINNIPEG STANDARD DRAWING SD-222
- 2) WEIGHT 79kgs. (175 lbs.)

WD40 CURB INLET COVER



1036 Waverley Street
Winnipeg Manitoba Canada R3T 0P3
P 204 896 1333 F 204 896 6969

| | |
|-------------------------|--------------------------|
| APP'D BY: WDP | DATE: 08/06/02 |
| SCALE: N.T.S. | REV. NO: 00 |
| DWG. NO: | MC-2 |