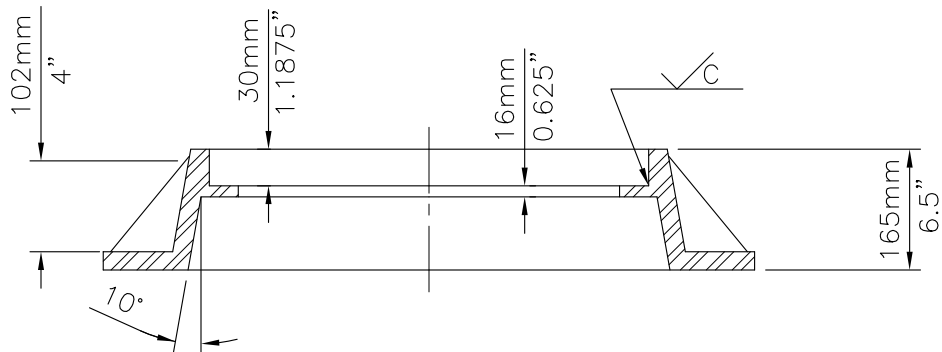
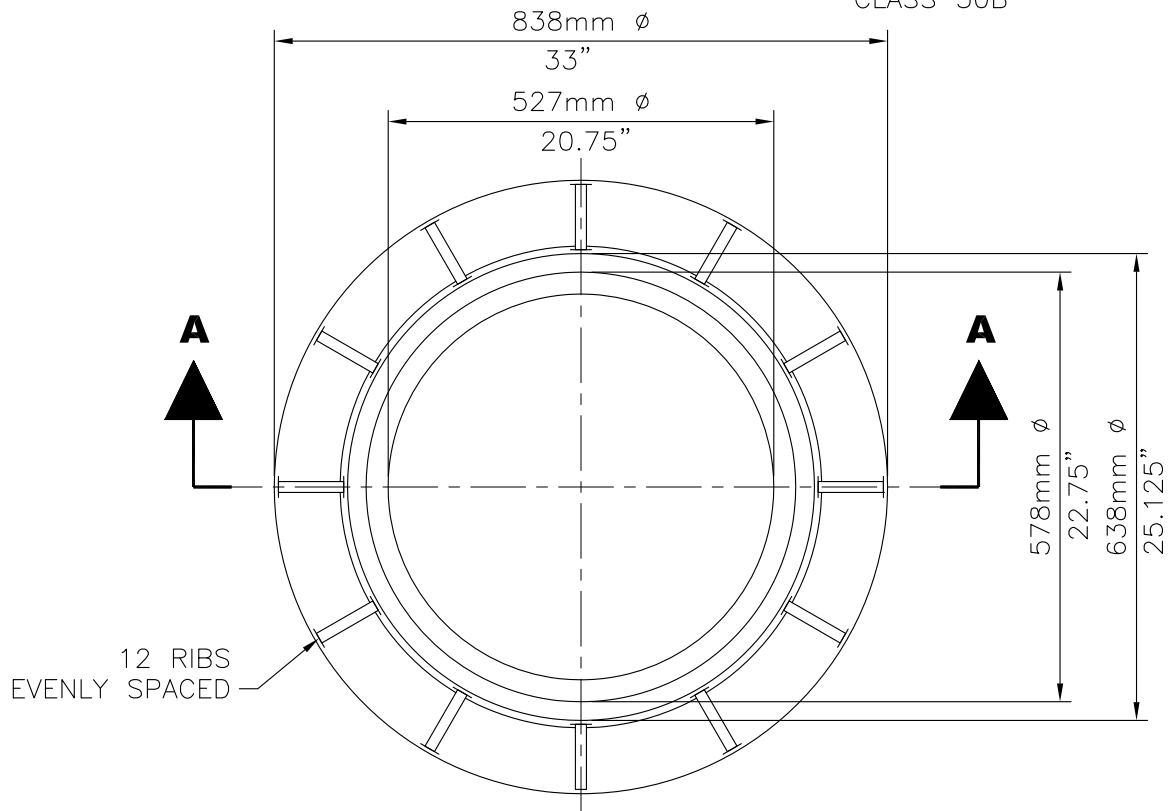


MATERIAL:

GRAY CAST IRON TO ASTM A48  
CLASS 30B



NOTE:

WEIGHT 89kgs. (197 lbs.)

## WD51 MANHOLE FRAME



Valve Boxes Ltd.

1036 Waverley Street  
Winnipeg Manitoba Canada R3T 0P3  
P 204 896 1333 F 204 896 6969

APP'D BY:

**WDP**

DATE:

**08/06/02**

SCALE:

**N.T.S.**

REV. NO:

**00**

DWG. NO:

**MC-6**