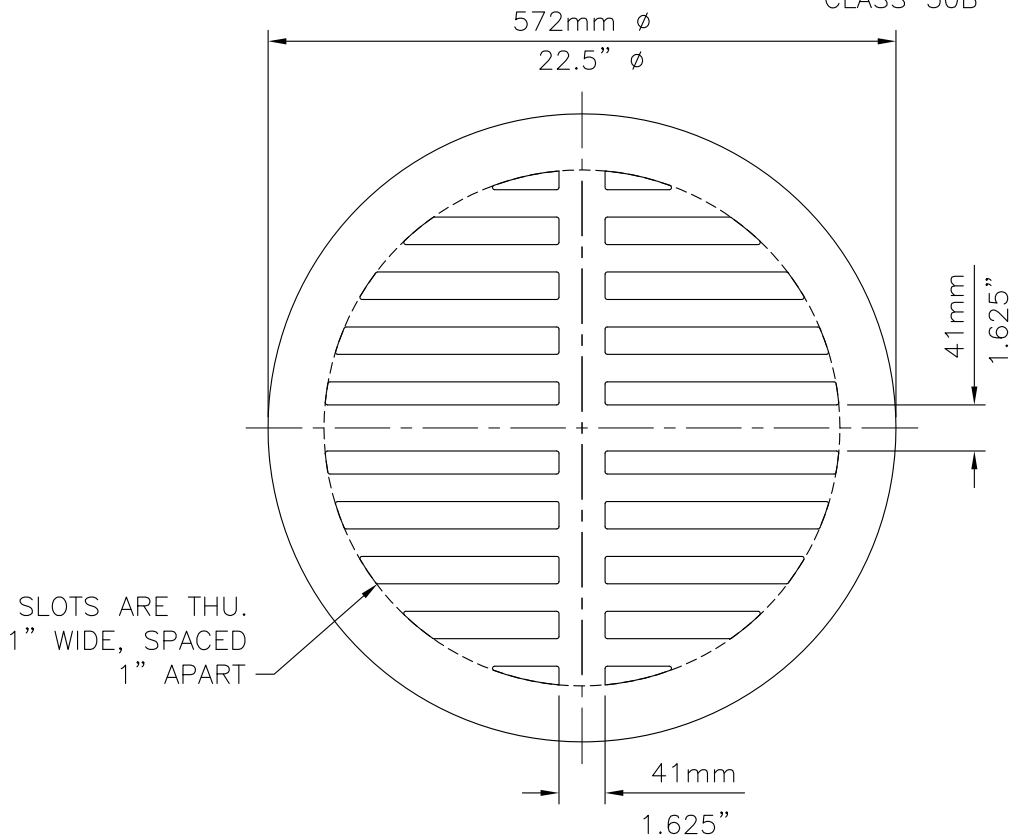
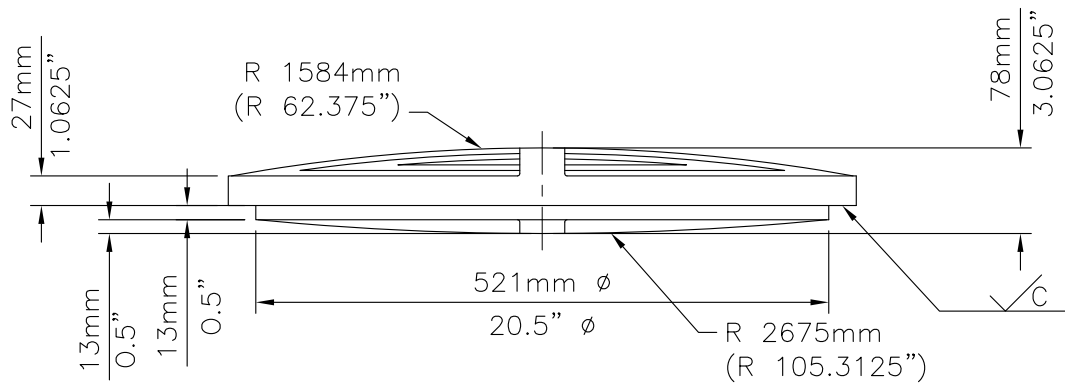


MATERIAL:

GRAY CAST IRON TO ASTM A48  
CLASS 30B



**PLAN**



**FRONT**

NOTE:

WEIGHT 53kgs. (117 lbs.)

**WD51G MANHOLE  
GRATE COVER**



**Valve Boxes Ltd.**

1036 Waverley Street  
Winnipeg Manitoba Canada R3T 0P3  
P 204 896 1333 F 204 896 6969

APP'D BY:

**WDP**

DATE:

**08/06/02**

SCALE:

**N.T.S.**

REV. NO:

**00**

DWG. NO:

**MC-7**