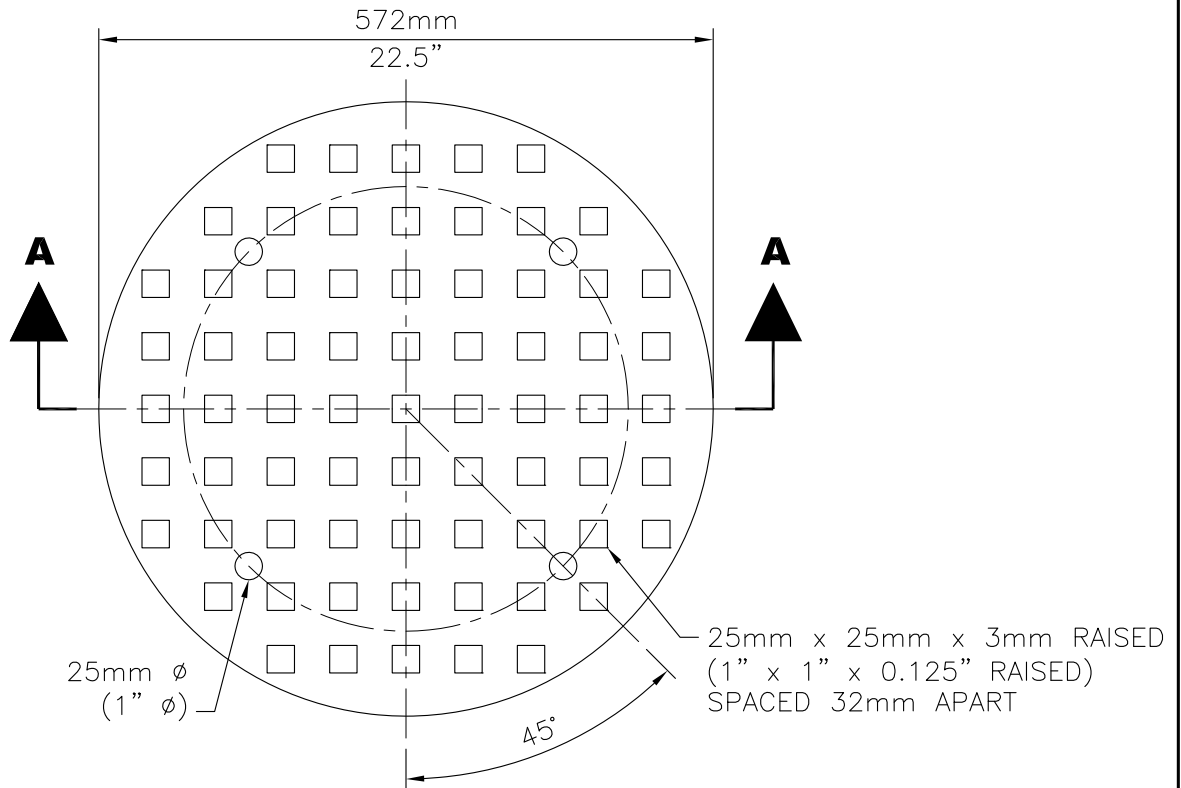
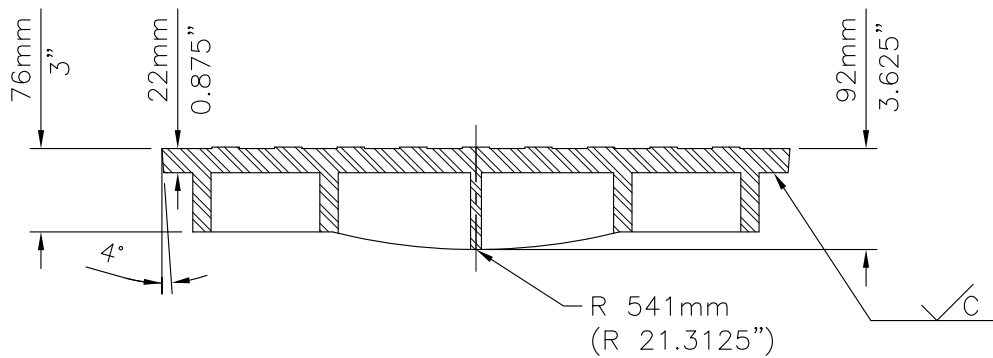


MATERIAL:

GRAY CAST IRON TO ASTM A48
GR. 30B



PLAN



FRONT

NOTE:

WEIGHT 60kgs. (133 lbs.)

WD51S MANHOLE SOLID COVER



1036 Waverley Street
Winnipeg Manitoba Canada R3T 0P3
P 204 896 1333 F 204 896 6969

APP'D BY:

WDP

DATE:

08/06/02

SCALE:

N.T.S.

REV. NO:

00

DWG. NO:

MC-8