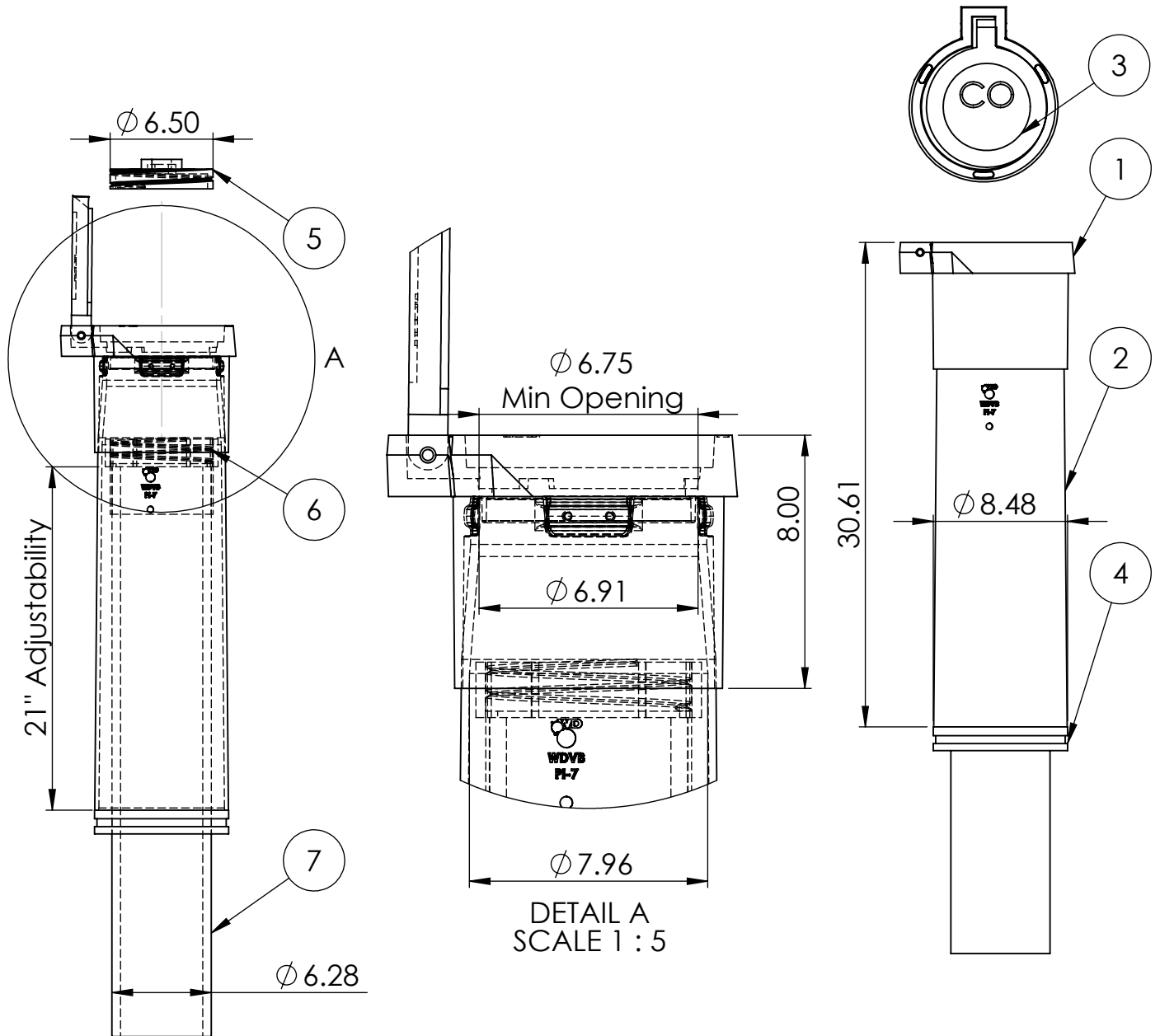


ITEM NO.	PART NUMBER	DESCRIPTION	Default/QTY.
1	WD91	Ductile Iron Top Socket	1
2	PI 7	PI 7" UPPER CASING BARREL	1
3	WD39	Ductile Iron Cleanout Lid	1
4	WD254	WD46 Adjustment Ring Assembly	1
5		6" PVC Plug (By Others)	1
6		6" PVC Hub to FIP (By Others)	1
7		6" SDR 35 Pipe (By Others)	1



				NAME	DATE	
				DRAWN		
				CHECKED		
				DIMENSIONS ARE IN INCHES TOLERANCES: FRACTIONAL: ± ANGULAR: MACH ± BEND ± TWO PLACE DECIMAL ± THREE PLACE DECIMAL ±		
DO NOT SCALE DRAWING				SCALE: 1:20	SHEET 1 OF 1	SIZE DWG. NO. A WD46 Cleanout REV.
Description						