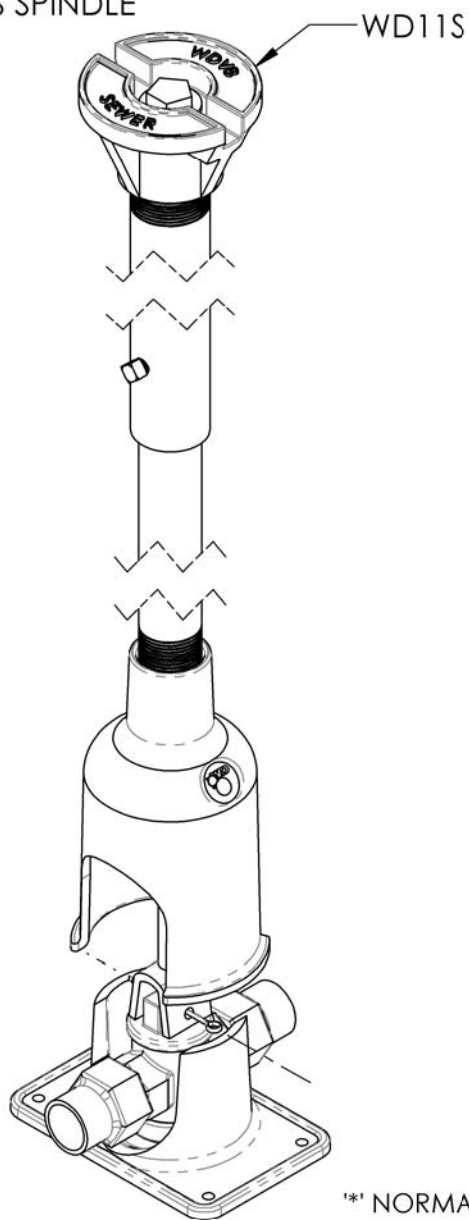
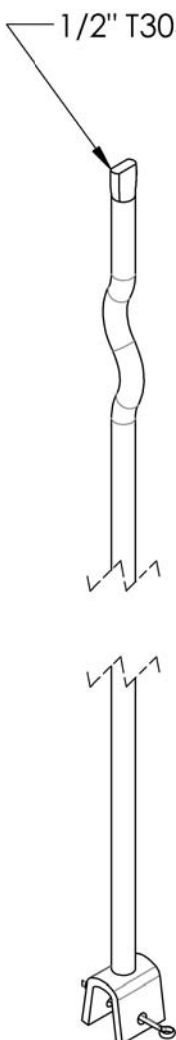
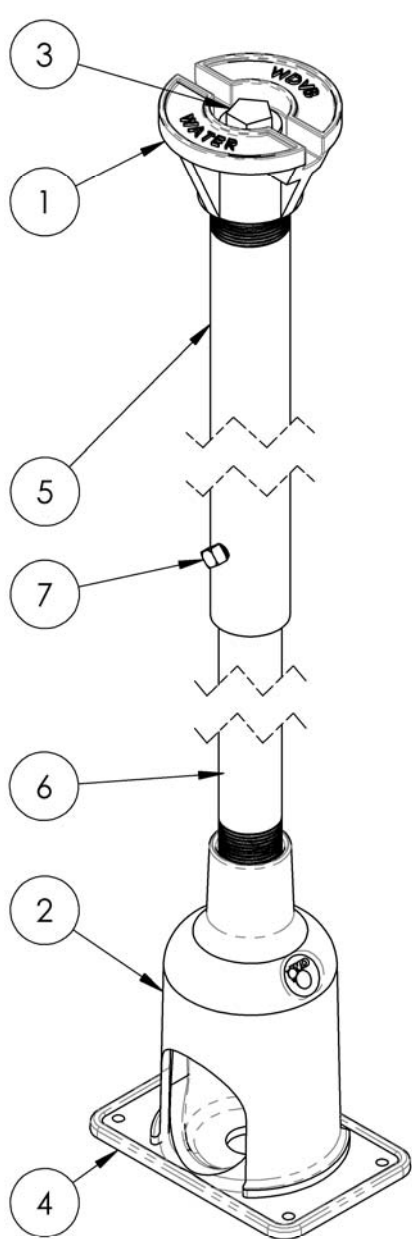


ITEM NO.	PART NO.	DESCRIPTION	QTY.	MATERIAL
1	WD11W	1 1/4" NPT SERVICE BOX TOP	1	ASTM A48 CLASS 30
2	SB20B	BASE	1	ABS
3	WD55	PLUG	1	BRASS
4	SB20C	BASE CRADLE	1	ABS
5	WD111	UPPER RISER - 1 1/4" GALV. XL PIPE	1	GALV XL PIPE
6	WD109	LOWER RISER - 1 " GALV XL PIPE	1	GALV. XL PIPE
7	WD140	3/8" - 16 UNC H. PT SET SCR. X 3/4" LG	1	GALV.



- BURIES**
- 3' to 5'
 - 4' to 6'
 - 5' to 7'
 - 6' to 8'
 - 7' to 9'*
 - 8' to 10'*
 - 9' to 11'
 - 10' to 12'
 - 11' to 13'

*1' NORMALLY STOCKED ITEM

**SERVICE BOX
1/2" TO 1" CURB STOP
1 1/4" MUELLER**

**SB20CRS
RURAL SASKATCHEWAN
SERVICE BOX**

NAME		DATE		 <p>1036 Waverly Street Winnipeg, Manitoba, Canada R3T 0P3 P 204 896 1333 F 204 896 6969</p>	
DRAWN		OCT 23/12			
CHECKED					
TOLERANCES UNLESS SPECIFIED		FRACTIONAL ± 1/32" TWO PLACE DECIMAL ± .02" THREE PLACE DECIMAL ± .002" ANGULAR ± 1°			
DIMENSIONS		INCHES		SIZE	DWG. NO.
SCALE	1:4	SHEET	1 OF 1	A	SB 2069 XL
					REV.
					0